

# SUBMERSIBLE PUMP

**Submersible pumps** Compact design, high performance and exceptional durability for handling abrasive liquid, widely used in general construction and civil engineering.

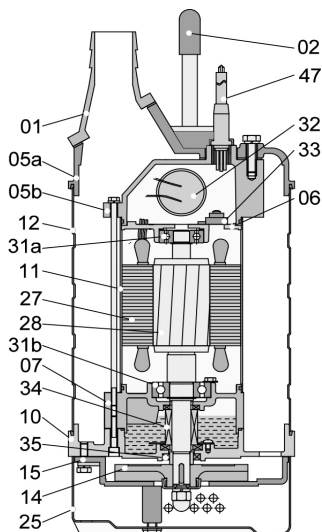
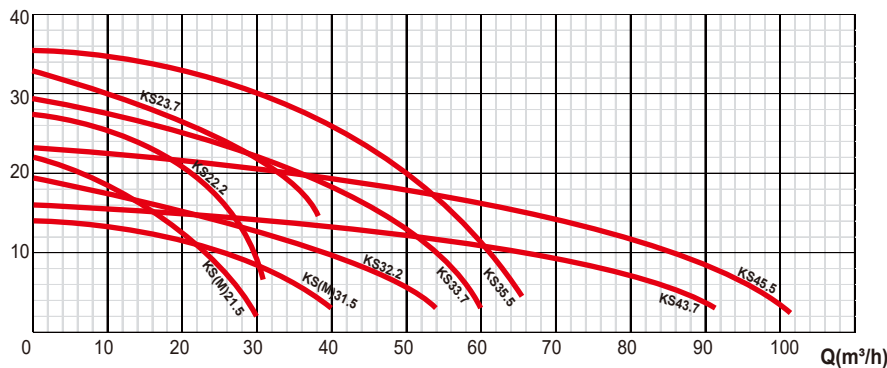
The body of motor and pump is made from cast iron or stainless steel for long-lasting durability.

Greatly increased maximum submersion depth due to mechanical seal resistant to high pressure (0.5 Mpa).

## 50Hz - Technical parameter

Model	Voltage	Frequency	Power		Current	H. Max	Q. Max	Size	G.W
	V	Hz	kW	HP	Amp	m	m <sup>3</sup> /h	Inch	Kg
KSM21.5(F)	220	50	1.5	2	10	21	30	G 2"	41
KSM31.5(F)	220	50	1.5	2	10	14	42	G 3"	41
KS21.5	400	50	1.5	2	3.5	21	30	G 2"	41
KS21.5F	400	50	1.5	2	3.5	21	30	G 2"	43
KS31.5	400	50	1.5	2	3.5	14	42	G 3"	41
KS31.5F	400	50	1.5	2	3.5	14	42	G 3"	43
KS22.2	400	50	2.2	3	5	25	32	G 2"	44
KS22.2F	400	50	2.2	3	5	25	32	G 2"	46
KS32.2	400	50	2.2	3	5	18.5	55	G 3"	44
KS32.2F	400	50	2.2	3	5	18.5	55	G 3"	46
KS23.7	400	50	3.7	5	7.7	32	36	G 2"	64
KS23.7F	400	50	3.7	5	7.7	32	36	G 2"	66
KS33.7	400	50	3.7	5	7.7	29	60	G 3"	64
KS33.7F	400	50	3.7	5	7.7	29	60	G 3"	66
KS43.7	400	50	3.7	5	7.7	18	95	G 4"	65
KS43.7F	400	50	3.7	5	7.7	18	95	G 4"	67
KS35.5	400	50	5.5	7.5	11.4	35	72	G 3"	72
KS35.5F	400	50	5.5	7.5	11.4	35	72	G 3"	74
KS45.5	400	50	5.5	7.5	11.4	23	105	G 4"	73
KS45.5F	400	50	5.5	7.5	11.4	23	105	G 4"	75

H(m) PERFORMANCE CHART AT n=2850min<sup>-1</sup>



**EXPLODED VIEW DRAWING - SPARE PARTS**

No.	Description	No.	Description
01	Hose coupling	25	Strauber
02	Handle	27	Stator
05a	Upper cover	28	Rotor
05b	Upper cover	31a	Bearing
06	Up-bearing house	31b	Bearing
07	Bearing house	32	Capacitor
10	Seal bracket	33	Motor protector
11	Motor casing	34	Mechanical seal
12	Outer casing	35	Oil seal
14	Impeller	47	Cable
15	Diffuser		

available also in 60Hz