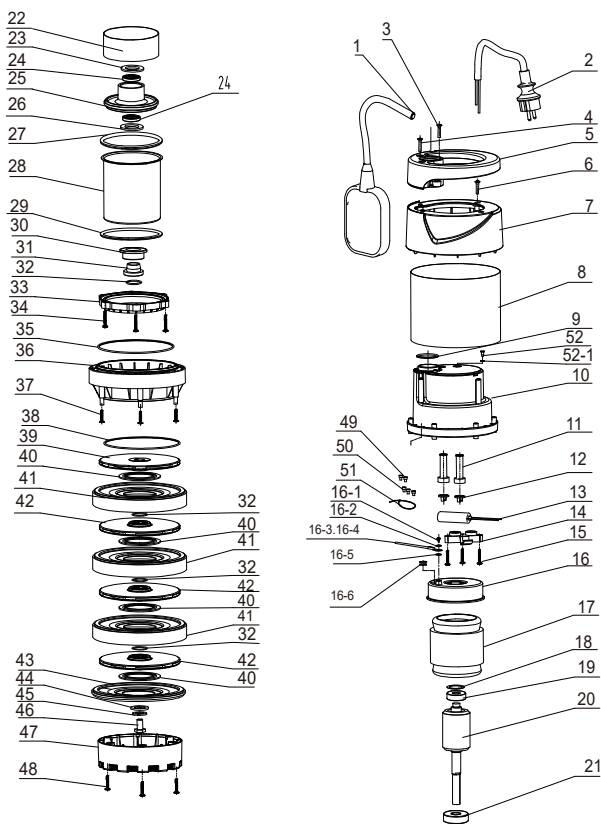
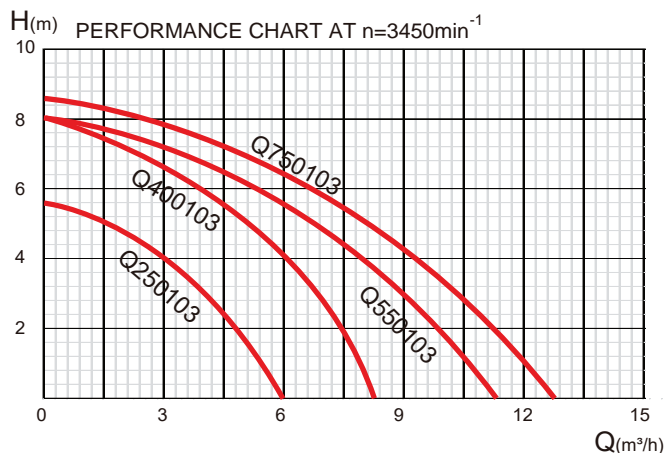


SUBMERSIBLE PUMP

Submersible Pumps with floater switch and top water discharge for clean water. They are available with plastic or stainless steel main pump body.

60Hz - Technical parameter

Model	Voltage	Frequency	Power		Current amp	H.Max m	Q.Max m³/h	Size inch	S.Head m	G.W kg
			kW	HP						
Q250103	220V	60Hz	0.25	0.33	1.2	5.5	6	G1" - G1 1/4"	7	4.4
Q400103	220V	60Hz	0.4	0.5	1.7	8	8	G1" - G1 1/4"	7	4.6
Q550103	220V	60Hz	0.6	0.8	2.3	8	11	G1" - G1 1/4"	7	5.6
Q750103	220V	60Hz	0.8	1.0	2.6	8.5	12.5	G1" - G1 1/4"	7	5.8



EXPLODED VIEW DRAWING - SPARE PARTS

NO.	Description	NO.	Description
1	Floater Swtich	25	Lower Bearing Block
2	Cable	26	Gasket
3	Tapping Screw	27	O Ring
4	Tapping Screw	28	Front Cover
5	Handle	29	O Ring
6	Tapping Screw	30	Mechanical Sealing
7	End Cap	31	Shaft Sleeve
8	SSteel Housing	32	O Ring
9	O Ring	33	End Ring
10	Rear Pump Shell	34	Tapping Screw
11	Cable Sheath	35	O Ring
11-1	Cable Sheath	36	Main Pump Shell
12	Cable Lock Block	37	Tapping Screw
13	Capacitor 35µF	38	O Ring
14	Cable Lock Block	39	Impeller
15	Sp.Tapping Screw	40	Plastic Mat
16	Alu rear cover	41	Guide Disk
16-1	Screw	42	Impeller
16-2	Elastic Gasket	43	Guide Disk Cover
16-3	Yellow Green Line	44	Flat Gasket
16-4	Blade Terminal	45	Elastic Gasket
16-5	Gasket	46	Hexagon Bolt
16-6	Lead Sheath	47	Base
17	Stator	48	Tapping Screw
18	Corrugated Gasket	49	Nylon close/end wire
19	Bearing	50	Nylon close/end wire
20	Rotor	51	Ribbon
21	Bearing	52	Tapping Screw
22	Spacer	52-1	O Ring
23	Adjustable Gasket	53	White Grease
24	Skeleton Sealing	54	Dust Cap

available also in 50Hz