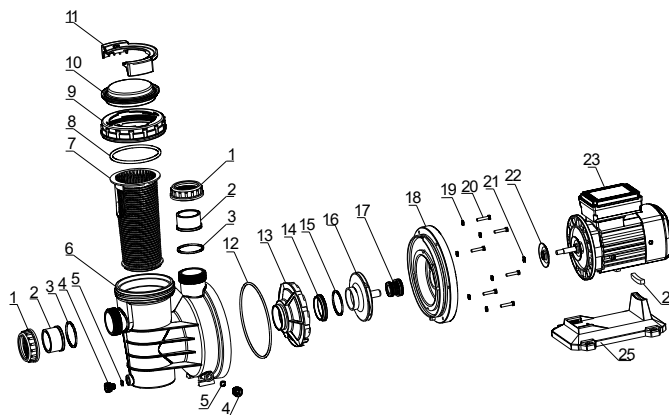
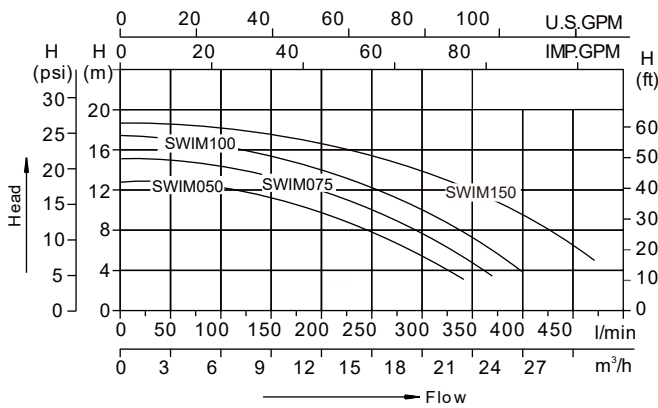


# SWIMMING POOL PUMP

Swimming pool pumps are applied to liquid circulation and filtration of Spa and bath, swimming pools, water treatment facility and decoration pools, etc.

## Technical parameter

Model	Voltage	Frequency	Power P1		Power P2		Current Amp	Max head m	Max flow L/min	Fitting size mm
			kW	HP	Kw	HP				
SWIM050	220-240V	60Hz	0.75	1.00	0.55	0.75	3.80	13	340.00	48.5 or 50
SWIM075	220-240V	60Hz	0.90	1.20	0.65	0.85	4.60	15	370.00	48.5 or 50
SWIM100	220-240V	60Hz	1.10	1.50	0.75	1.00	5.80	18	390.00	48.5 or 50
SWIM150	220-240V	60Hz	1.50	2.00	1.10	1.50	7.00	19	470.00	48.5 or 50



### EXPLODED VIEW DRAWING - SPARE PARTS

No.	Description	No.	Description
1	Tie-in Nut	14	Activities Rings
2	Tie	15	O-Ring
3	O-Ring	16	Impeller
4	Drainage Plug	17	Mechanical Seal
5	O-Ring	18	Pump Cover
6	Pump Casing	19	Pad
7	Filter	20	Hexagon bolt
8	O-Ring	21	O-Ring
9	Gland cover	22	Retaining ring
10	Transparent cover	23	Motor
11	Open cover hand	24	Plastic strips
12	O-Ring	25	Base
13	Diffuser		

available also in 50HZ